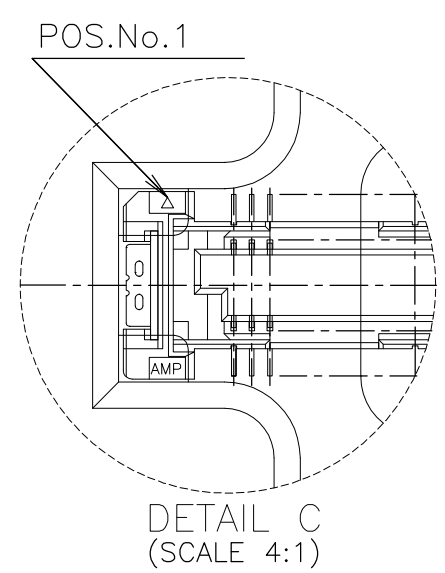
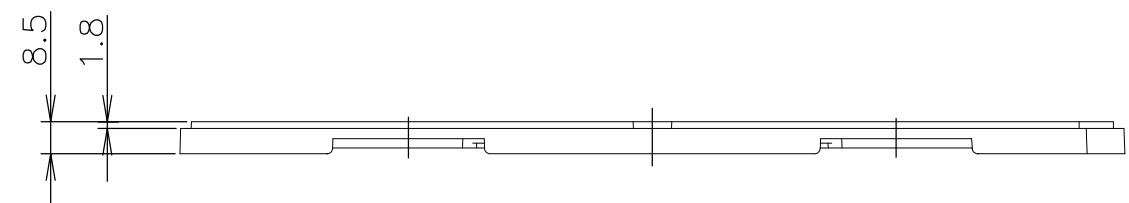
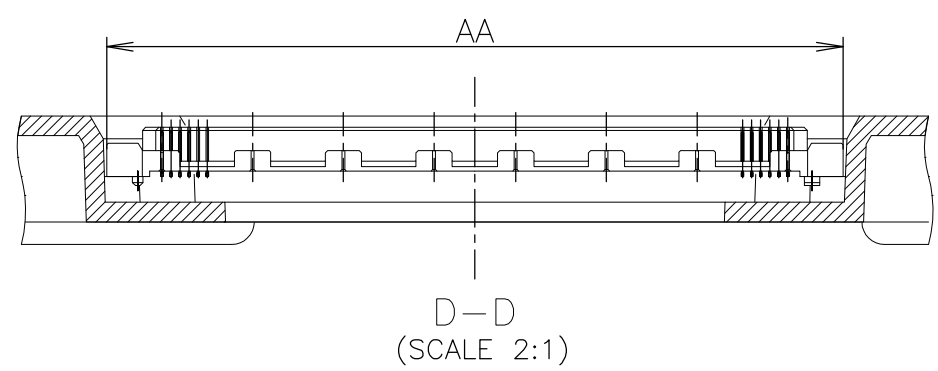
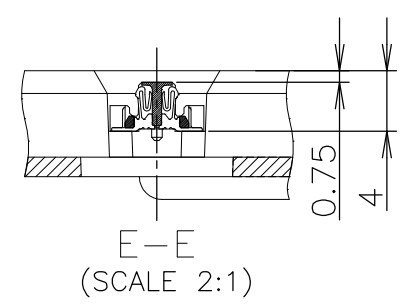
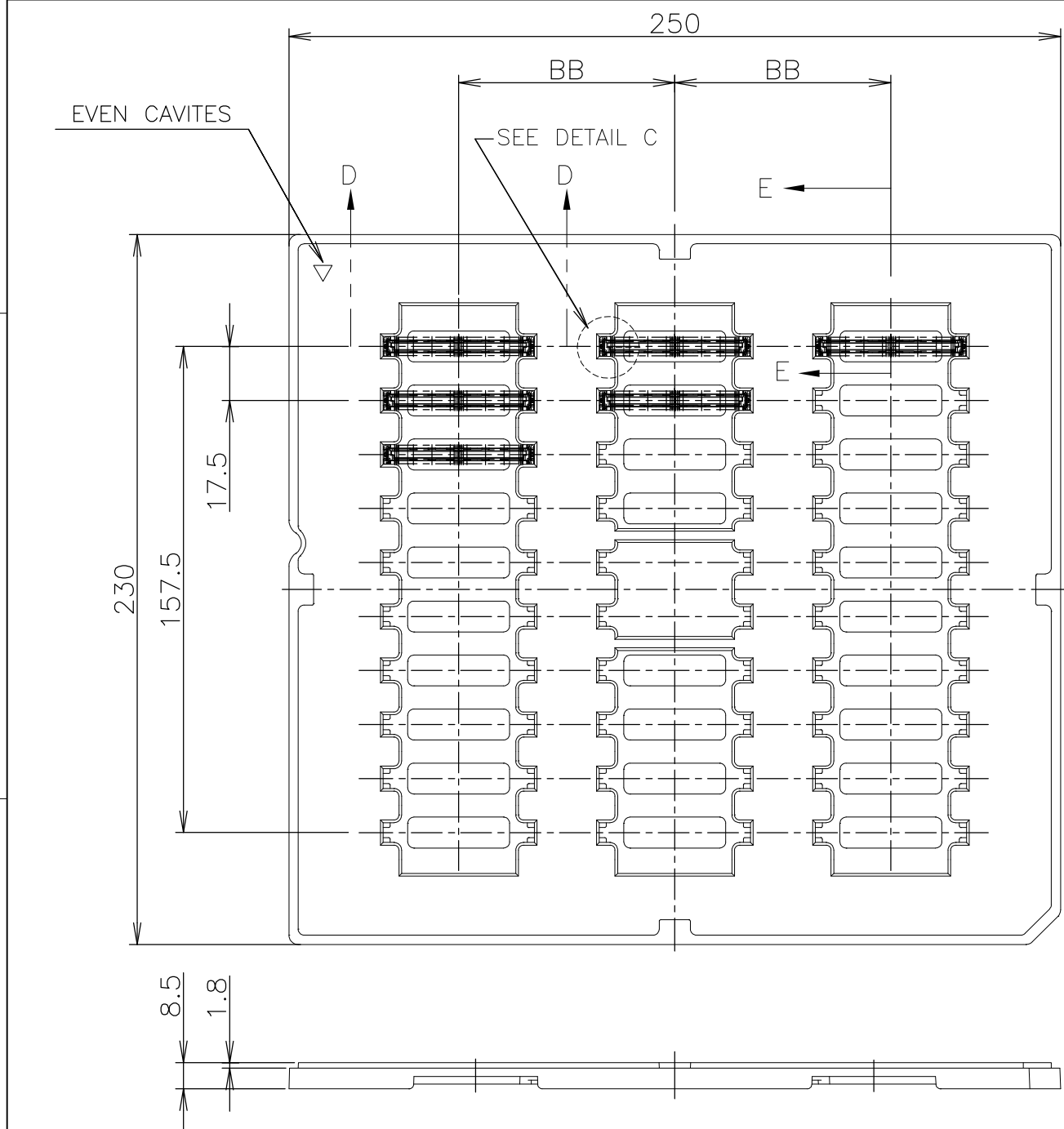


THIS DRAWING IS UNPUBLISHED. RELEASED FOR PUBLICATION OCT, 1995.
 © COPYRIGHT 1995 BY TYCO ELECTRONICS CORPORATION. ALL RIGHTS RESERVED.

LOC	DIST	REVISIONS			DATE	DWN	APVD
J		P	LTR	DESCRIPTION			
		A	REVISED	ECR-08-000340	01FEB08	T.T	T.F



SEALANT	AVAILABLE	3	30	70	54.7	160	1-5316560-1
	AVAILABLE	↑	↑	↑	48.7	140	1- -0
	NOT AVAILABLE				42.7	120	-9
	NOT AVAILABLE	↓	↓	↓	36.7	100	-8
	NOT AVAILABLE	3	30	70	33.7	90	-7
	AVAILABLE	5	50	43	30.7	80	-6
	NOT AVAILABLE	↑	↑	↑	27.7	70	-5
					24.7	60	-4
					21.7	50	-3
	NOT AVAILABLE	5	50	43	18.7	40	-2
				15.7	30	5316560-1	
SEALANT	TOOLING STATUS	ROW	QTY	BB	AA	POS.	PART NO.

THIS DRAWING IS A CONTROLLED DOCUMENT.

DWN LEO ZHOU 17NOV04
 CHK STEVEN YAO 17NOV04
 APVD I.ENOMOTO 17NOV04

Tyco Electronics Tyco Electronics Corporation
 Kawasaki, Japan

NAME 名称
 PRODUCT SPEC 製品規格
 108-60047
 APPLICATION SPEC 取付適用規格
 114-5255

SIZE A3 CAGE CODE 00779 DRAWING NO 番号 G-5316560 RESTRICTED TO

SCALE 尺度 1:2 SHEET 1 OF 3 REV A

CUSTOMER DRAWING

GENERAL TOLERANCE 一般公差

10 ≥	±0.2
30 ≥	>10: ±0.25
100 ≥	>30: ±0.3
ANGLES: ±3°	

DIMENSIONS: 单位: 耗 mm

TOLERANCES UNLESS OTHERWISE SPECIFIED: 一般公差

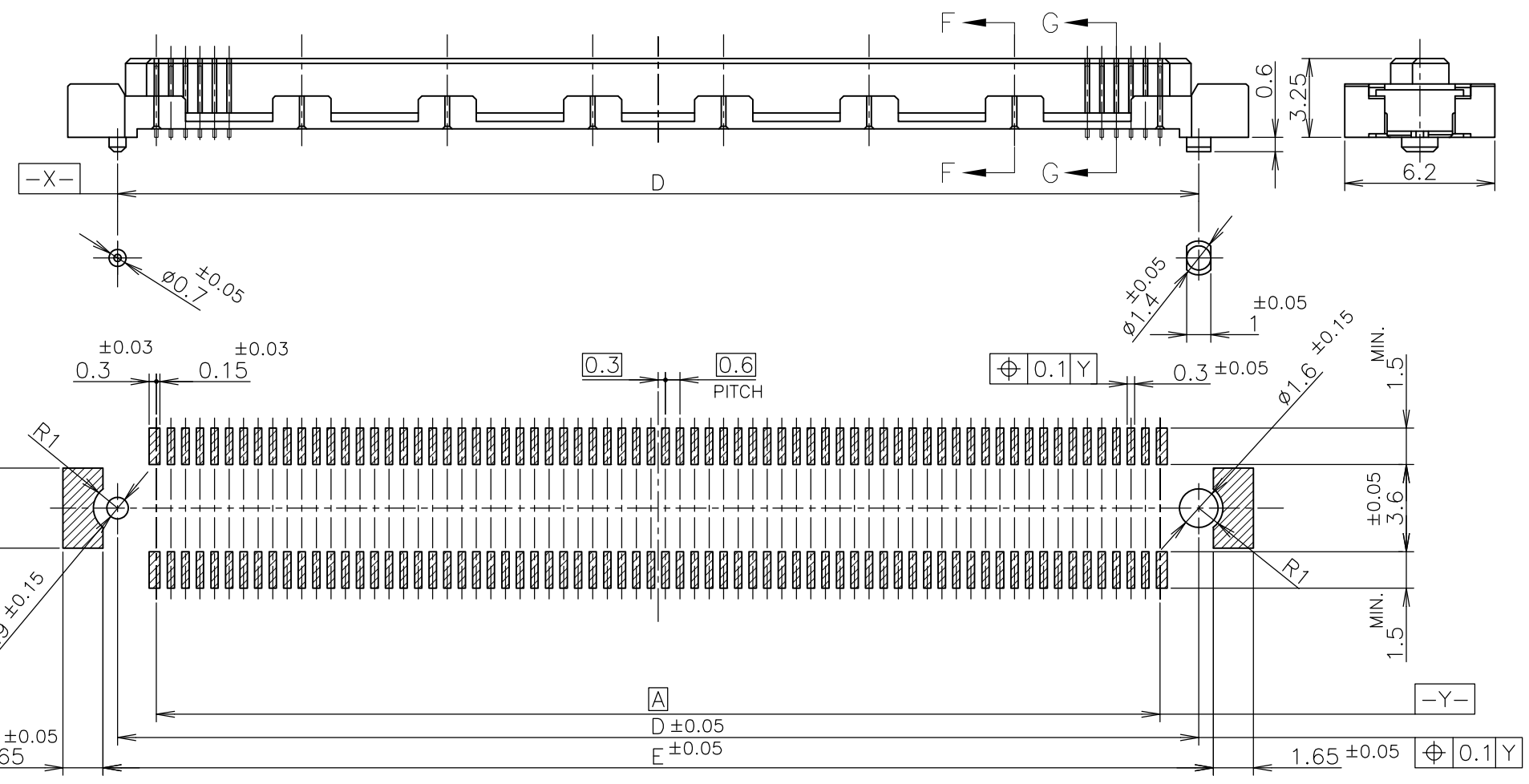
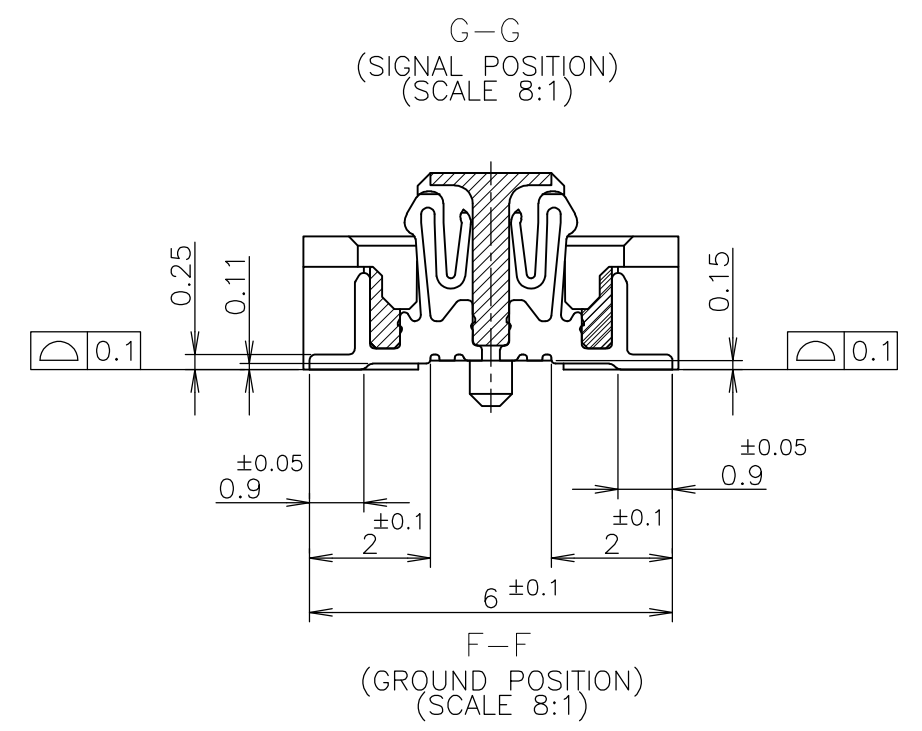
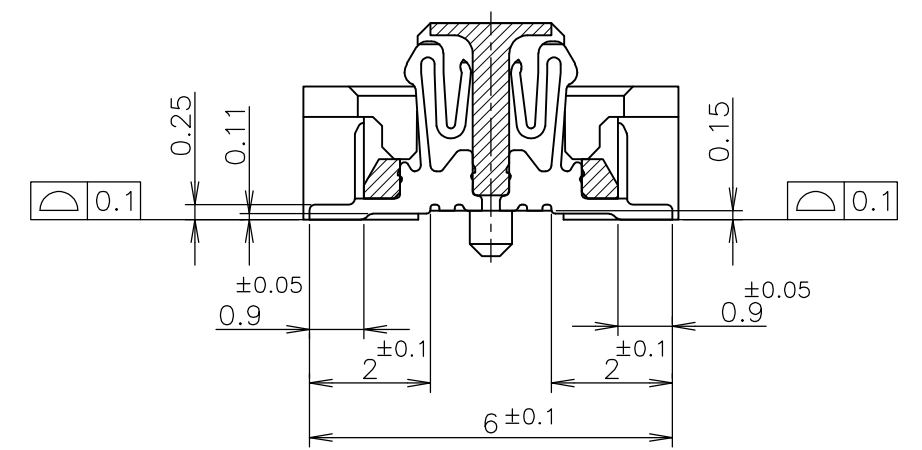
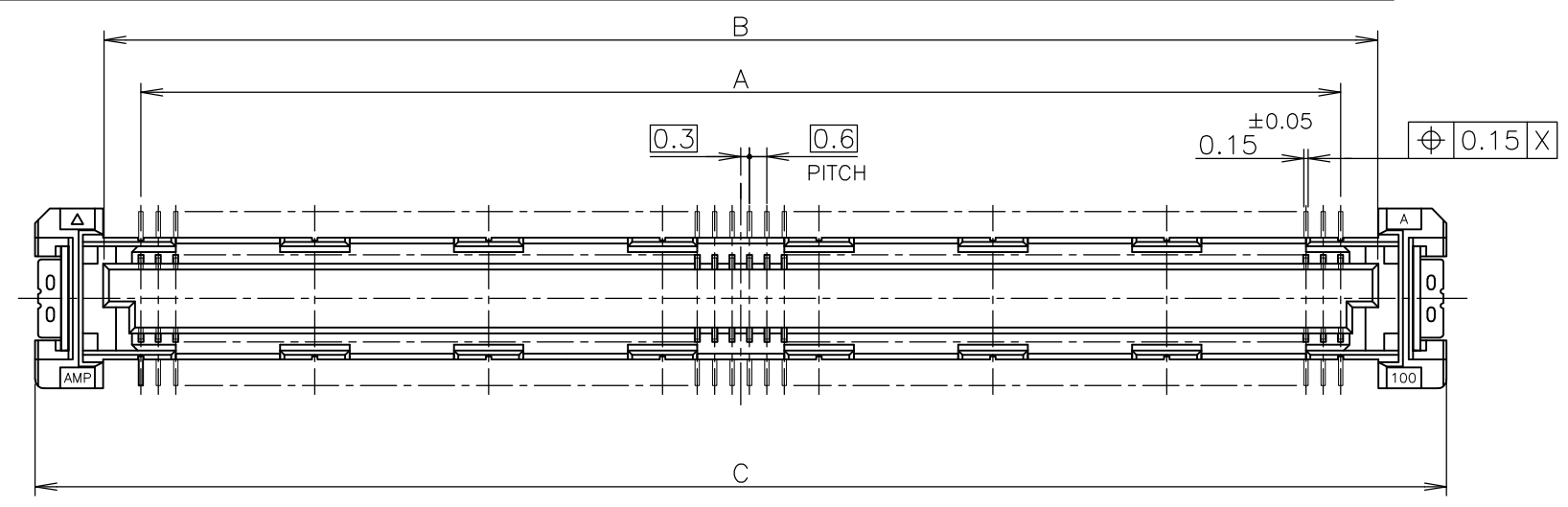
0 PLC	± -
1 PLC	± -
2 PLC	± -
3 PLC	± -
4 PLC	± -
ANGLES	± -

MATERIAL 材料

FINISH 仕上

THIS DRAWING IS UNPUBLISHED. RELEASED FOR PUBLICATION OCT, 1995.
 © COPYRIGHT 1995 BY TYCO ELECTRONICS CORPORATION. ALL RIGHTS RESERVED.

LOC	DIST	REVISIONS			DATE	DWN	APVD
J		P	LTR	DESCRIPTION			
				SEE SHEET 1	-	-	-



AVAILABLE	51.8	50.6	54.7	50	47.4	160	1-5316560-1
AVAILABLE	45.8	44.6	48.7	44	41.4	140	1-5316560-0
NOT AVAILABLE	39.8	38.6	42.7	38	35.4	120	-9
AVAILABLE	33.8	32.6	36.7	32	29.4	100	-8
NOT AVAILABLE	30.8	29.6	33.7	29	26.4	90	-7
AVAILABLE	27.8	26.6	30.7	26	23.4	80	-6
	24.8	23.6	27.7	23	20.4	70	-5
	21.8	20.6	24.7	20	17.4	60	-4
	18.8	17.6	21.7	17	14.4	50	-3
AVAILABLE	15.8	14.6	18.7	14	11.4	40	-2
NOT AVAILABLE	12.8	11.6	15.7	11	8.4	30	5316560-1
TOOLING STATUS	E	D	C	B	A	POS	△ PART NO.

REFERENCE P.C.BOARD LAYOUT

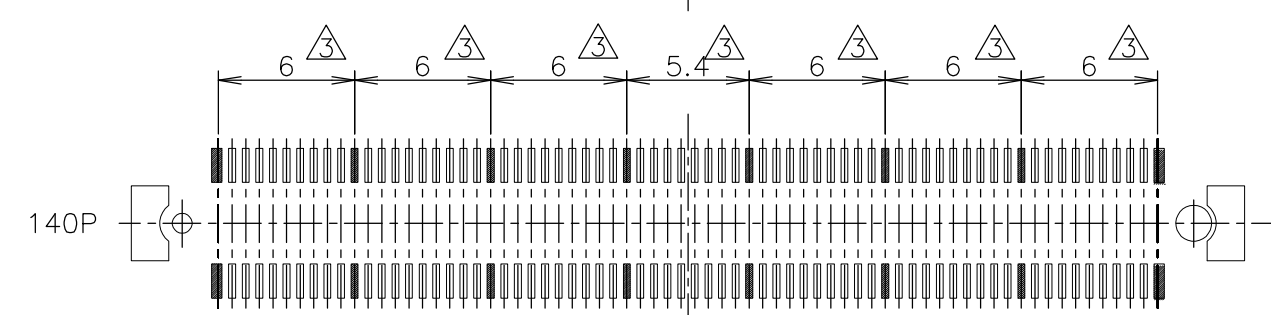
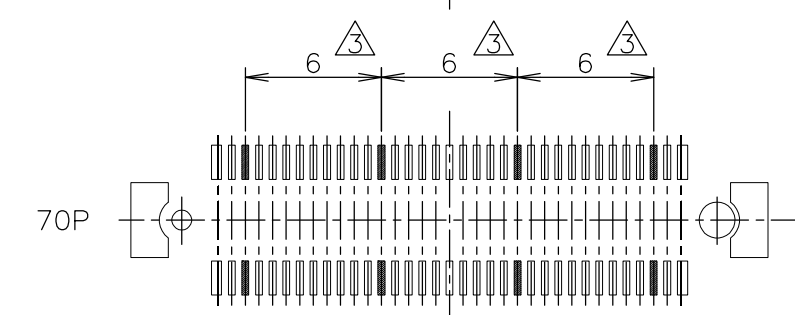
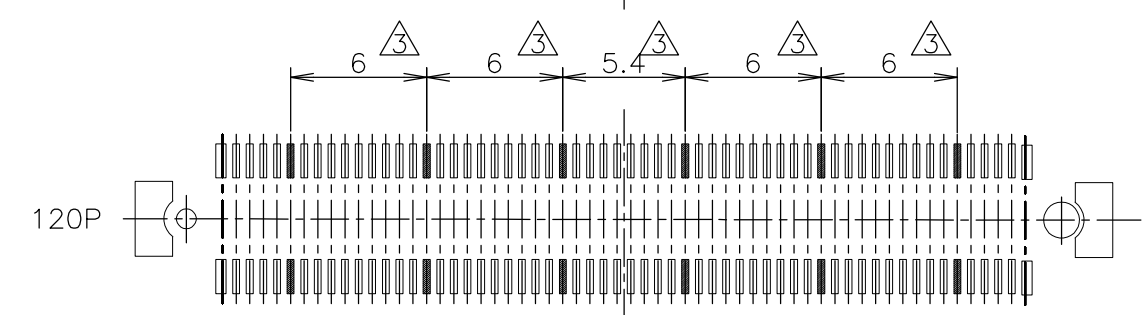
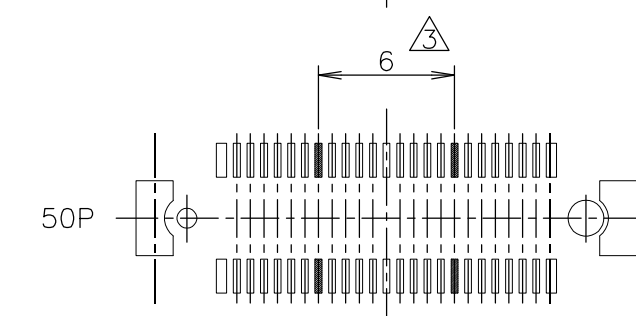
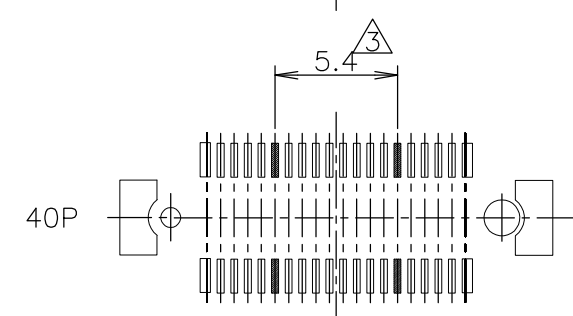
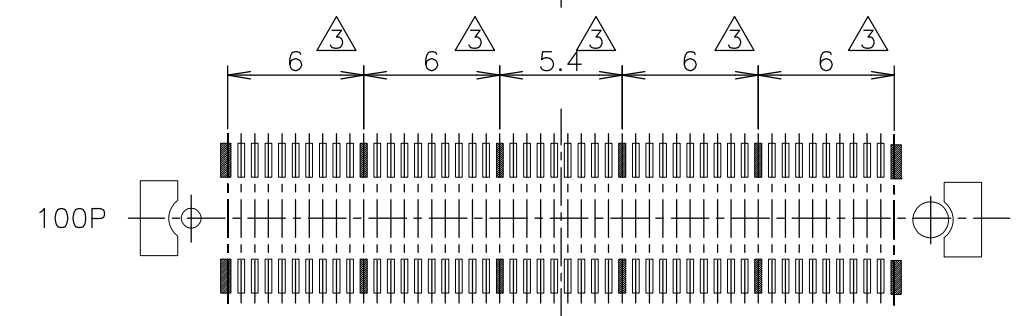
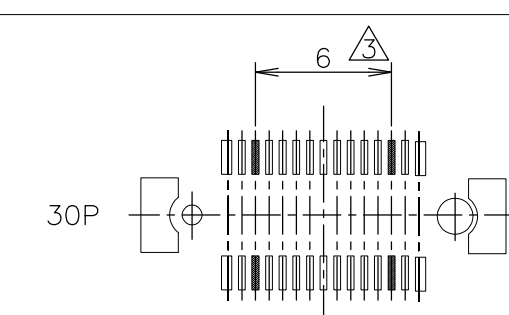
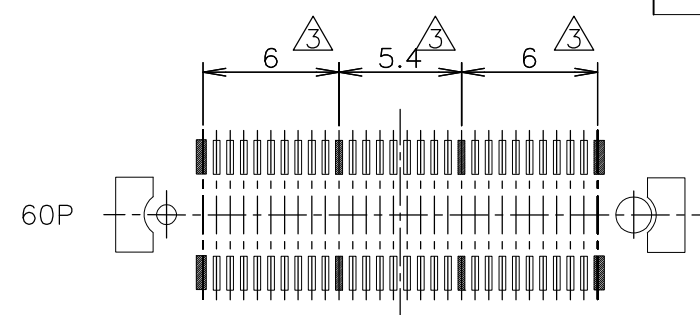
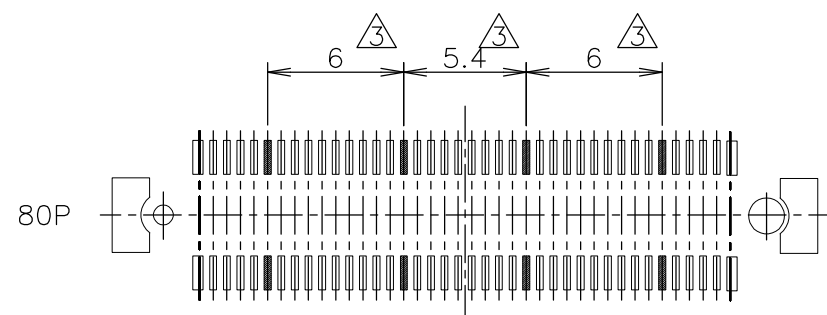
THIS DRAWING IS A CONTROLLED DOCUMENT.		DWN	Tyco Electronics Corporation Kawasaki, Japan	
DIMENSIONS: 单位: 耗 mm		CHK	NAME 名称	
TOLERANCES UNLESS OTHERWISE SPECIFIED: 一般公差		APVD	HARD TRAY ASSY FH 0.6BTB CONNECTOR REC 4H W/G-CONT	
0 PLC ± 0.3		PRODUCT SPEC 製品規格	SIZE	CAGE CODE
1 PLC ± 0.3		APPLICATION SPEC 取付適用規格	A3	00779
2 PLC ± 0.3		WEIGHT	DRAWING NO 番号	RESTRICTED TO
3 PLC ± 0.3		CUSTOMER DRAWING	G-5316560	
4 PLC ± 0.3			SCALE 尺度 4:1	SHEET 2 OF 3
ANGLES ± 3'			REV A	
MATERIAL 材料	FINISH 仕上			

THIS DRAWING IS UNPUBLISHED. RELEASED FOR PUBLICATION OCT, 1995.

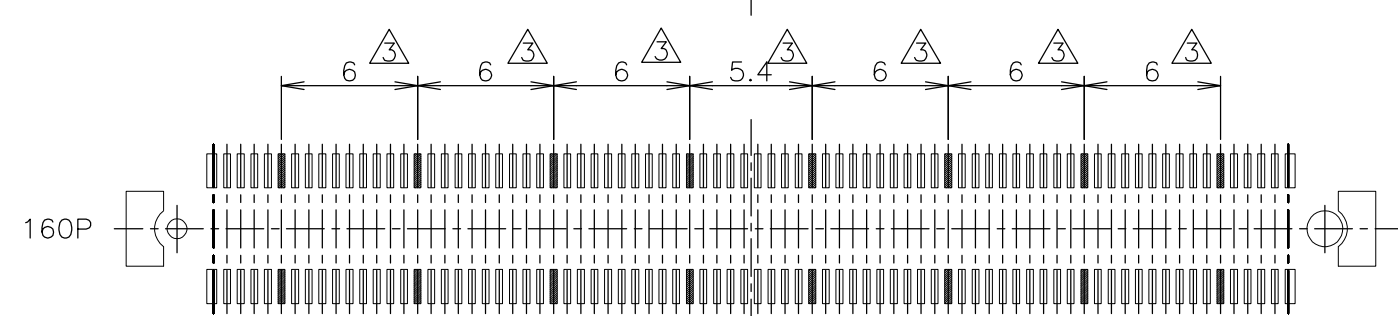
© COPYRIGHT 1995 BY TYCO ELECTRONICS CORPORATION. ALL RIGHTS RESERVED.

LOC J DIST

REVISIONS		DATE	DWN	APVD
変更				
P	LTR	DESCRIPTION		
	-	SEE SHEET 1	-	-



- ① MATERIAL ; HOUSING : HIGH TEMP THERMO PLASTIC UL94V-0
CONTACT : COPPER ALLOY
- ② FINISH ; UNDER PL Ni 0.0013mm MIN ALL OVER.
CONTACT AREA 0.0002 MIN Au PL.
SOLDERING AREA: SIGNAL POS 0.00005 MIN Au PL.
GROUND POS 0.001 MIN TIN PL.
- ③ THIS POSITION IS GROUND CIRCUIT.
- ④ PACKING SEE SHEET 1.



THIS DRAWING IS A CONTROLLED DOCUMENT.		DWN	Tyco Electronics Corporation Kawasaki, Japan		
DIMENSIONS: 単位: 耗 mm		CHK	NAME 名称		
TOLERANCES UNLESS OTHERWISE SPECIFIED: 一般公差		APVD	HARD TRAY ASSY FH 0.6BTB CONNECTOR REC 4H W/G-CONT		
0 PLC ± 0.3 1 PLC ± 0.3 2 PLC ± 0.3 3 PLC ± 0.3 4 PLC ± 0.3 ANGLES ± 3'		PRODUCT SPEC 製品規格	SIZE	CAGE CODE	DRAWING NO 番号
MATERIAL 材料		APPLICATION SPEC 取付適用規格	A3	00779	G-5316560
FINISH 仕上		WEIGHT	RESTRICTED TO		
CUSTOMER DRAWING			SCALE 尺度 3:1	SHEET 3 OF 3	REV A